



REDIYWOOD

Do-it-yourself projects

3 Shelf

VIDEO CABINET



REDIYWOOD - ready to use timber.

EASY TO MAKE... 3 Shelf Video Cabinet

Project materials list

COMPONENT	MATERIAL	QUANTITY	FINISHED SIZE
Inner top, Mid shelf, top shelf (1)	Rediwood DAR	3 lengths	290 x 19 x 800mm
Sides (2)	Rediwood DAR	2 lengths	290 x 19 x 900mm
Base and outer top (3)	Rediwood DAR	2 lengths	290 x 19 x 900mm
Spacer for outer top (4)	Rediwood DAR	1 length	42 x 19 x 900mm
Bottom shelf supports (5)	Rediwood DAR	2 lengths	70 x 19 x 800mm
Back (6)	Rediwood _{302 Lining}	7 pieces	140 x 12 x 900mm
Screws	Countersunk Rib Head Chipboard	14pcs of 45mm x 8g	
Screws	Countersunk Rib Head Chipboard	20 pcs of 28mm x 8g	
Screws	Countersunk Rib Head Chipboard	6pcs of 16mm x 6g	
PVA Adhesive		To glue all joints	

Tools you will need

- Electric / hand saw
- Square
- Hammer
- Drill and bits
- Router [optional]

Safety Requirements

Ear & Eye Protection: Repeated inhalation from this product may increase the risk of nasal cavity cancer. Exposure to softwood and its dust in some susceptible people may result in respiratory and skin sensitisation leading to asthma and dermatitis respectively. However, if correct safety precautions are followed, no acute or chronic effects are anticipated. For more information phone 1300 30 4963 for a Material Safety Data Sheet.

Step - by - Step Instructions

STEP 1

Cut all pieces to length, making sure all cuts are square.

STEP 2

Countersink screw bottom shelf supports, bottom shelf, mid shelves and inner top in place. Glue all joints.

STEP 3

Route base and outer top for decorative effect if required.

STEP 4

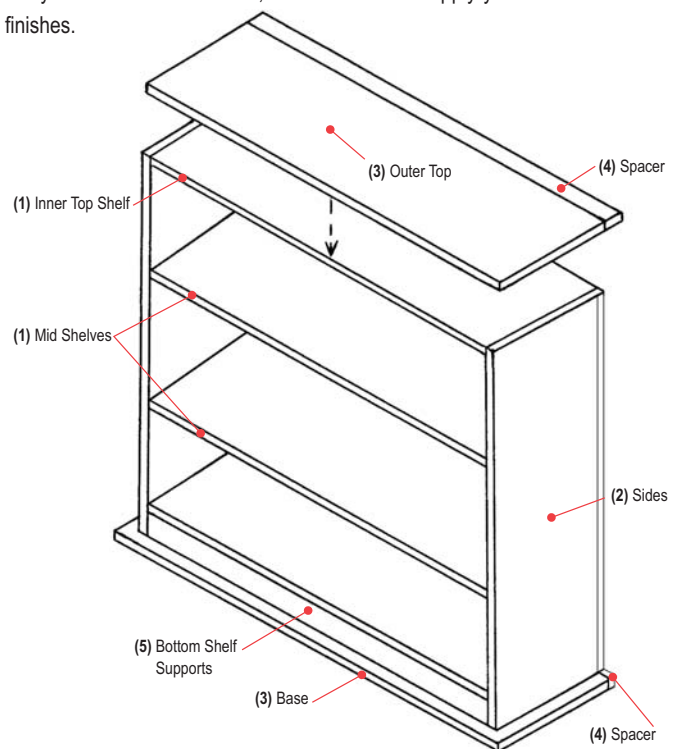
Countersink screw base and outer top in place using 30mm screws [screw outer top from under inner top]. 42 x 19 spacer should be attached flush with back of unit.

STEP 5

Cut lining board to fit back of unit and fix with 16mm screws.

STEP 6

Putty all countersunk screws, sand smooth and apply your choice of timber finishes.



For other easy - to - make projects from Hyne Timber ask for them at your local Rediwood distributor.

Available from:



HYNE TIMBER ABN 67 009 660 995
 Head Office 160 Kent Street Maryborough QLD 4650
 Hyne Product Info > 1300 30 4963 (HYNE)
 Facsimile > 1300 72 4963 (HYNE)
 Email > info@hyne.com.au
 Internet > www.hyne.com.au